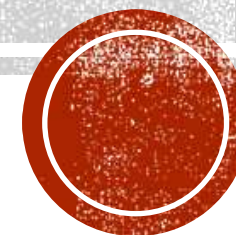


# Dobrodiya

PRODUCER OF CEREAL PRODUCTS

PRIVATE LABEL  
PRODUCTION



2024

# OWN PRODUCTION FACILITIES

A production complex based on the principles of **sustainable** development, environmental orientation, with high energy efficiency and automated technological processes, which produces healthy and environmentally friendly grain products.



- Grow **grain on our own fields**
- Control grain quality indicators** from sowing and tillage to growing and harvesting.
- Fully automated** manufacturing process
- Environmentally **friendly and waste-free** technologies
- Air purification system** (aspiration)
- Alternative sources of energy**
- Innovative equipment**

**BUHLER**



# CERTIFICATIONS

**Dobrodiya**

PRODUCER OF CEREAL PRODUCTS

- ❑ Quality control at all production stages
- ❑ Mandatory quality control of the packaging

Our products are tested in domestic and European laboratories accredited in accordance with the requirements of DSTU EN ISO/IES 17025:2019 (EN ISO/IES 17025:2017, IDT).

The products are voluntarily certified by Nutri-Score.

Receiving additional certificates on request.



# PRIVATE LABEL PROJECTS

**10+**  
partner countries

**120 projects**  
in progress

**20+ projects**  
have been completed



# PRODUCTION ON CONTRACT

Cooperation with Dobrodiya Foods LLC is a full range of services in the field of production under contract (private label):

- Use of ready-made recipes
- Development of recipes to order
- Own raw materials
- Own production facilities
- Possibility to choose packaging
- Design development is possible
- Choice of logistics: on pallets, without pallets, container 40 ft, car 20 ft

## PROCESS

Clear technical task of the Customer - **2-3 working days**

Product/formulation development - **5-10 working days**

Packaging design - **10 working days**

Coordination with the Customer - **2-5 working days**

Production of packaging materials - **20 to 45 days**

Implementation in production - **2-5 working days**

Production - **depends on the production plan**

Delivery of the final product

**Working with us is a guarantee of creating high-quality products that meet the high requirements of modern standards with an optimal price/quality ratio.**



# CONDITIONS OF COOPERATION

1. Providing a **product brief**
2. Providing **technical specifications for packaging**
3. Multiple of **33 pallets** – minimum order of the product
4. **50% prepayment for packaging,**  
**60 calendar days deferred payment**



# PRODUCTS: cereal breakfast

**Dobrodiya**

PRODUCER OF CEREAL PRODUCTS



## Corn Flakes

- frosted corn flakes
- unglazed corn flakes
- honey corn flakes



## Cereal Balls

- cocoa balls
- cocoa&cream balls (duo)



## Cereal Loops

- fruity loops



## Cereal Pillows

- cocoa/white pillows  
with different fillings



# PRODUCTS: based on the recipe

**Dobrodiya**

PRODUCER OF CEREAL PRODUCTS



**Granola**



**Muesli**



**Fruit instant  
porridge**





# PRODUCTS: cereal flakes

## Oat Flakes

Oat groats



Whole flakes, big leaf



White oats, big leaf



Cut flakes, small leaf



Quick oats, small leaf



## Cereal Flakes



Wheat flakes (big / small leaf)



Barley flakes (big / small leaf)



Rye flakes (big / small leaf)



Buckwheat flakes



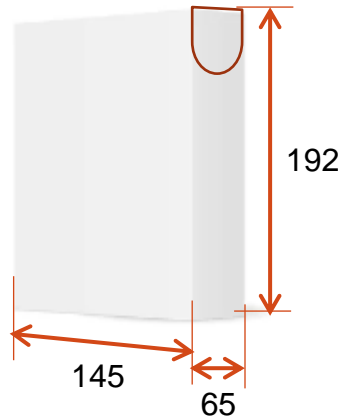
Corn flakes



# PACKAGING: carton box

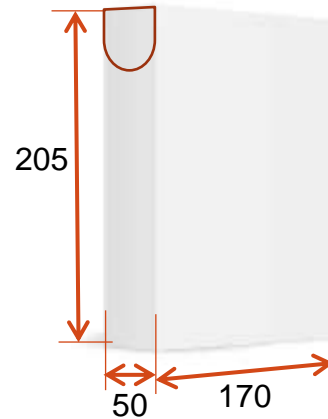
**Dobrodiya**

PRODUCER OF CEREAL PRODUCTS



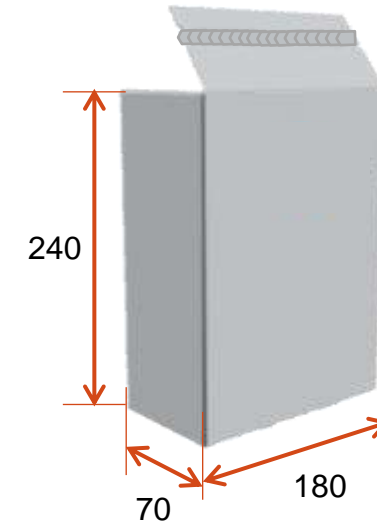
Dimensions | 65\*145\*192 mm  
Print run | from 35`000 pcs

Cereal flakes | 350 – 500 g



Dimensions | 50\*170\*205 mm  
Print run | from 35`000 pcs

Cereal flakes | 400 – 550 g



Dimensions | 70\*180\*240 mm  
Print run | from 35`000 pcs

Cereal breakfast | 250 – 400 g

*Use for other products is possible after product testing*



# PACKAGING: doypack

**Dobrodiya**

PRODUCER OF CEREAL PRODUCTS



Dimensions | 90\*180\*240 mm  
Print run | from 25`000 pcs

Cereal flakes | 350 – 370 g  
Granola / Muesli | 300 – 350 g



Dimensions | 90\*180\*280 mm  
Print run | from 25`000 pcs

Cereal flakes | 400 – 550 g  
Granola / Muesli | 400 – 550 g



Dimensions | 90\*220\*240 mm  
Print run | from 25`000 pcs

Cereal flakes | 400 – 500 g  
Granola / Muesli | 400 – 500 g

*Use for other products is possible after product testing*



# PACKAGING: polypropylene film

**Dobrodiya**

PRODUCER OF CEREAL PRODUCTS



Dimensions | 60\*130\*180 mm  
Print run | from 25`000 pcs

Dimensions | 70\*175\*360 mm  
Print run | from 25`000 pcs

Dimensions | 70\*140\*280 mm  
Print run | from 30`000 pcs

Dimensions | 10\*105\*195 mm  
Print run | from 55`000 pcs

Cereal flakes | 300 – 500 g  
Granola / Muesli | 300 – 500 g

Cereal Breakfast | 400 – 500 g

Cereal Breakfast | 200 – 250 g

Cereal Breakfast | 30 g

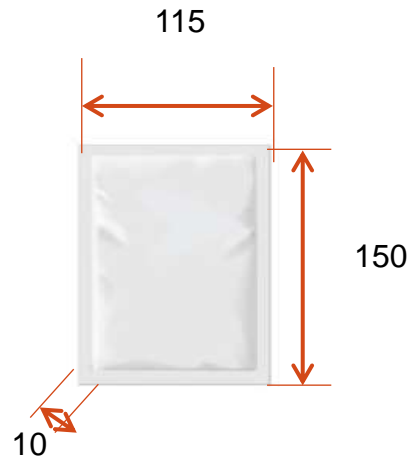
*Use for other products is possible after product testing*



# PACKAGING: paper

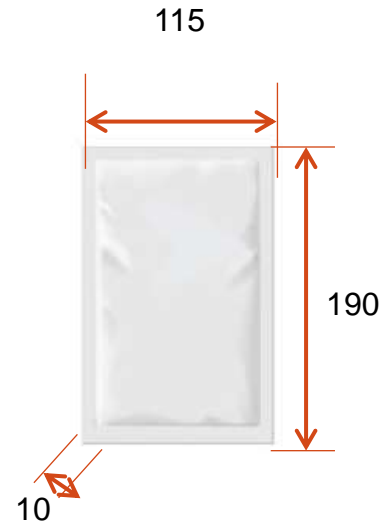
**Dobrodiya**

PRODUCER OF CEREAL PRODUCTS



Dimensions | 10\*115\*150 mm  
Print run | from 80`000 pcs

Instant porridge | 35 – 45 g  
Granola / Muesli | 35 – 45 g



Dimensions | 10\*115\*190 mm  
Print run | from 80`000 pcs

Instant porridge | 55 – 65 g  
Granola / Muesli | 55 – 65 g



Dimensions | 65\*90\*145 mm  
Print run | from 15`000 pcs

Cereal flakes | 450 – 500 g

*Use for other products is possible after product testing*



**OPEN TO COOPERATION  
&  
WAITING FOR YOUR BRIEF**

